



**Brake Light Camera for Durite CCTV 12 volt
Part 0-099-10**

Fits: Mercedes Sprinter, VW Crafter 2007-2016



WARNINGS

Before using this unit please read these instructions carefully. Take special care to follow the warnings and safety suggestions listed below. Keep these instructions for future reference.

There are no user-serviceable parts within the unit, refer servicing to qualified service personnel.

PRECAUTIONS

- Please ensure you are familiar and comply with local traffic and driving regulations.
- Connection - The camera should only be connected to a Durite cctv system.
- Heat - Do not install the camera near heat sources.
- Mounting - Ensure the camera is facing the desired direction before fixing the camera base. If fixing to isolated return chassis the camera bracket should be isolated from the vehicle chassis.
- Service - The user should not attempt to service these units beyond that described in these instructions. All other servicing should be referred to an authorised service technician.

GENERAL

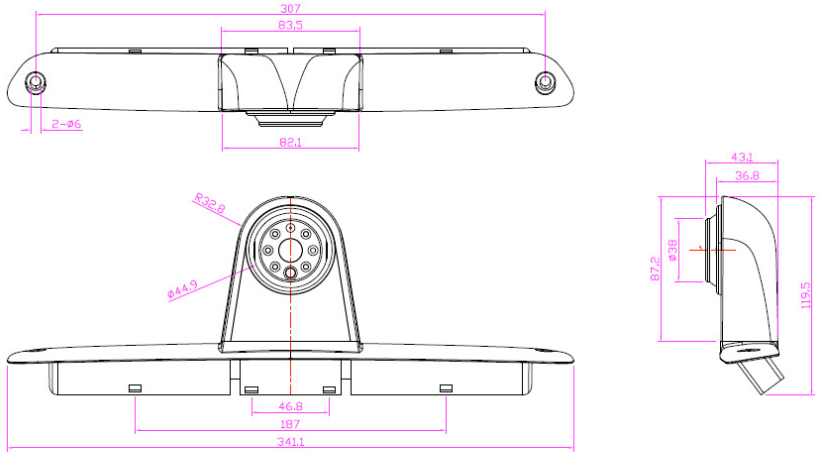
The camera has a CCD image sensor which gives a high quality picture and its solid state circuitry provides extremely long life. Compact size and single connection make it easy to install. Automatic gain control (AGC) provides a clear image in both strong sunlight and low light conditions, if lighting conditions fall below a set level the Infra-red LEDs will illuminate. It is recommended that all camera lead connections are additionally sealed by either wrapping with a suitable tape or application of heat shrink sleeving. It is recommended to connect the system and test before fixing to ensure the correct field of view is displayed.

IMAGE VIEWING NORMAL vs. MIRROR

**The default image is set to MIRROR Image Mode for reversing.
To change to NORMAL Image please refer to guidelines in your CCTV
Manual in the 'Monitor Control' section.**



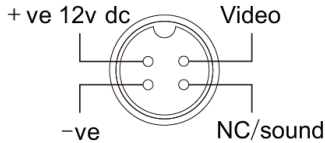
DIMENSIONAL DRAWING



680

PIN LAYOUT

Female Screw Plug



SPECIFICATION

- Type.....Brake Light Camera
- Pick up element..... 1/3" SONY CCD image sensor
- Voltage.....12VDC
- Lens.....1.7mm
- Power consumption.....1.5W
- Microphone.....Yes
- IP Rating.....IP68
- Cable Length.....10M Extension Cable Provided
- TV Lines.....580TVL
- Resolution.....NTSC 510*492 / PAL 500*582 Pixels
- Night Vision Distance.....35Feet
- View Angle.....170°
- Operating temperature.....-20 to +70°C
- Weight.....0.225Kg
- Dimensions.....Please see above diagram
- Certificates.....E Marked

